

## A8 - STACKING UNIT

### EFFICIENT SPLITTING AND STACKING PROCESS

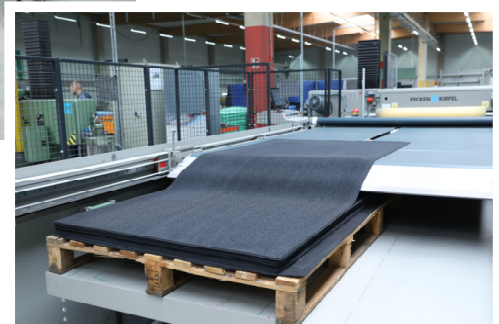
The economic solution for stacking

- ✓ Cellular rubber, EPDM, NBR, CR, PE (crosslinked and non-crosslinked), EVA, recycled granulated rubber and similar materials
- ✓ Especially designed for stacking light and flexible layers
- ✓ Automated splitting and stacking process of layers upward 2-3 mm \*
- ✓ Semi-automated splitting and stacking of thin layers from 0,8 mm until 2-3 mm \* with a minor support of the operator



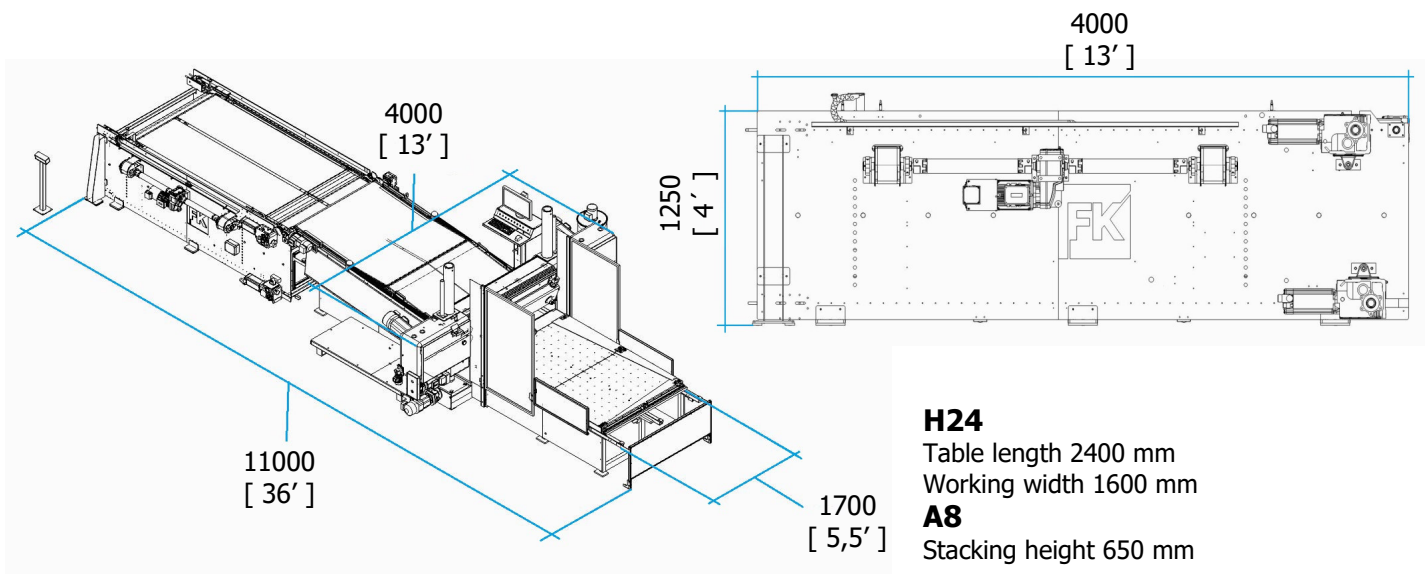
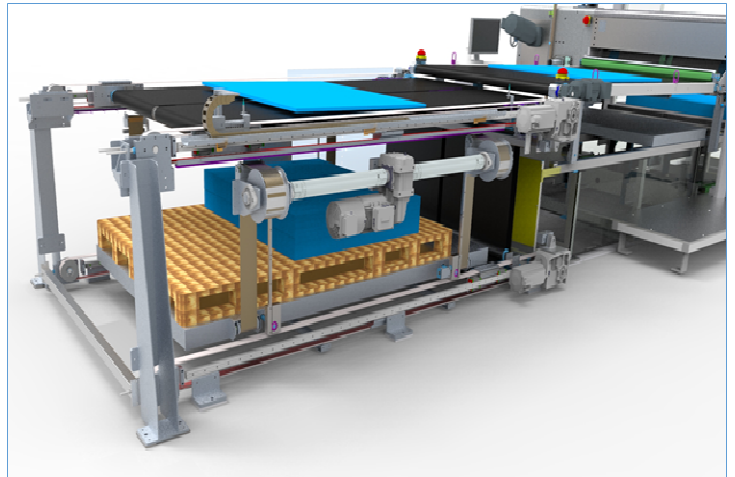
Automated process

More ergonomic working conditions



## Technical data A8 Stacking unit

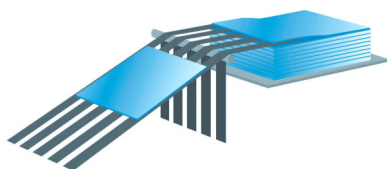
- ✓ Automatic splitting process without labour for layers thicker than 2-3 mm \*
- ✓ Compact and tension free stacking
- ✓ Cycletime approx. 20 sec.\*
- ✓ Vertical stacking accuracy from +/- 5 mm until +/-10mm \*
- ✓ Stack
  - Weight up to 800 kg
  - Height up to 650 mm / 1000 mm
- ✓ Stacking on pallets or conveyor belt
- ✓ Connected to automatic bandknife splitting machines H24
- ✓ Possible to add an A8 stacking unit to existing H24 (subject to the age of the machine)



## Alternatives

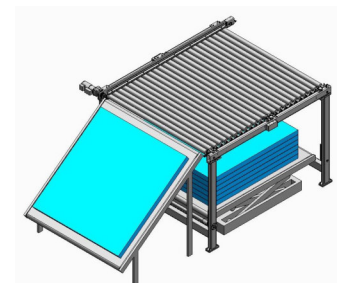
**A6**

- ✓ Semi-rigid foams
- ✓ Heavy rebonded foams
- ✓ Recycled rubber



**A7**

- ✓ PU soft foam (mainly for mattresses, toppers)



\* depending on material quality and thickness

➔ For further information our team will be pleased to be at your disposal.

**Fecken-Kirfel GmbH & Co. KG**  
Prager Ring 1 - 15 / 52070 Aachen / Germany  
Tel. +49 241 18202-100  
info@fecken-kirfel.de  
www.fecken-kirfel.de

